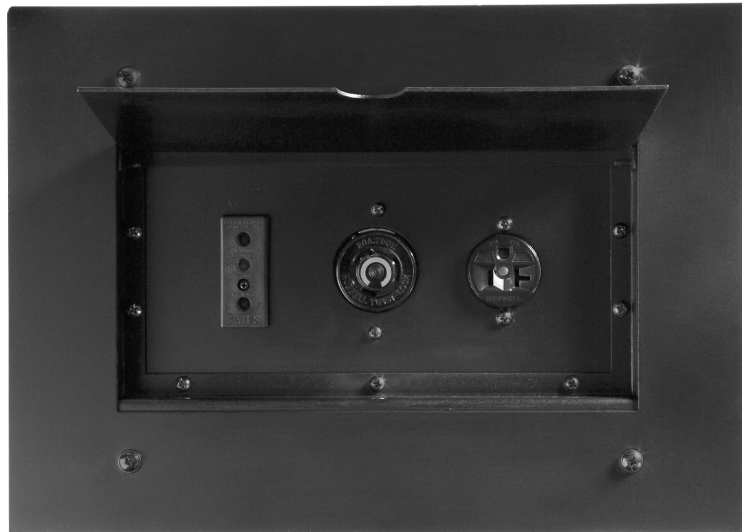


WP Series



Standard Features

16 gauge face plate with hinged door.

16 gauge galvanized steel back box.

1/2" white die-cut circuit identification.

Various 15, 20 and 60 Amp receptacles.

Black matte finish.

UL listed and labeled.

Optional Features

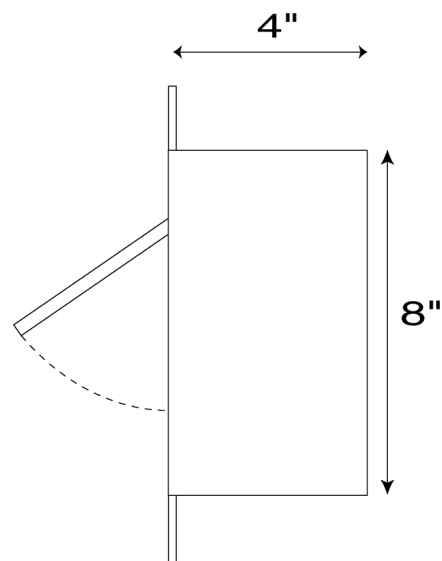
Custom colors.

LED indicator lights.

Custom circuit identification.

Nonstandard connectors or receptacles.

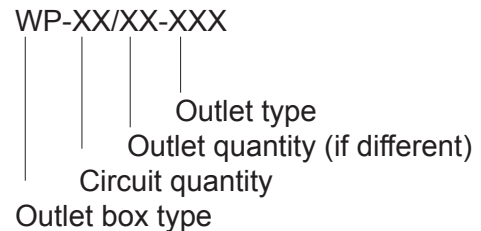
DMX input/output.



- A. This assembly shall consist of a 16 gauge, galvanized steel housing designed for recessed mounting in the wall. The unit shall be provided with a 16 gauge steel wall plate with hinged door.
- B. The box may have up to six 15, 20 and 60 Amp receptacles mounted on a 16 gauge steel receptacle plate.
- C. The box shall be completely pre-wired at the factory, with ground lugs installed.
- D. Finish shall be black matte.
- E. The face plate shall measure 10" high x 14" wide. The hinged door shall measure 10" wide x 4.75" high.
- F. The entire assembly shall be listed and labeled by Underwriters Laboratories.

Ordering Information

<u>OUTLET TYPE</u>	<u>DESCRIPTION</u>
2PGFL	20 Amp. Stage pin receptacle
L520R	20 Amp. Twist lock receptacle
520R	20 Amp. Parallel blade receptacle



Sample: WP-3-3PGFL
 Wall Mounted Outlet Box with 3 - 20 amp circuits

Please specify circuit numbering when ordering. Consult the factory for custom types and sizes.